

2017



2017 TECH BOOK



CONTENTS

General Information		2-3
Fury	2014-2017	4-5
Sanction	2016-2017	6-7
Force	2016-2017	8-9
Verb	2016-2017	10-11
Helion/Sensor	2015-2017	12-13
Zaskar	2016-2017	14
Grade	2015-2017	15
Rear Derailleur Hangers	2008-2017	16-26
Freehub Bodies	2015-2017	27

GENERAL INFORMATION

About this TECH BOOK

- The information in this TECH BOOK is intended for Authorized GT Bicycle Dealers and Distributors. Information updates are performed periodically and the most recent date of a update is displayed in the lower left corner of each page. GT Bicycles reserves the right to make product improvement and changes at any time without prior notice. No part of this TECH BOOK may be reproduced without prior written permission.
- The latest updated version of this TECH BOOK is available in a PDF format at b2b.cyclingsportsgroup.com.
- The exploded views, illustrations, and photographs are intended only as an aid to identification of available replacement parts. The frame specifications table are intended as a guide to frame and components compatability, not the suitability of any particular part. Ultimately, questions about part compatability should be decided by experienced bike mechanics or be directed to GT Bicycles Technical Support before ordering.
- This TECH BOOK is NOT a complete or comprehensive service manual for the listed products. To obtain, product manuals, Recall information, Service Bulletins and or Installation Instructions, please visit: b2b.cyclingsportsgroup.com.
- Some service kits contain the multiple parts, some contain a single part. If a service kit contains multiple individual parts (e.g. o-rings, fasteners, pivot axles), the multiple parts will be identified by a single kit ID - "A,B,C....."

Servicing Guidelines

- Use a properly calibrated torque wrench when tightening fasteners. Tighten fasteners to the specified torque value. Clean and apply specified Loctite or grease to the fastener threads.
- Whenever replacing a service wear item, also replace any related seals, o-rings, circlips, with new ones.
- When replacing parts that have damaged due to a crash or impact, be sure to clean and inspect other parts for damage. Take corrective action before replacing damaged or broken parts.
- Damaged or removed bearings should not be re-used. Install new bearings as a set and use the correct bearing tools.
- Always thoroughly clean all parts and surfaces before assembly. Use a clean dry shop towel. Do not use automotive spray chemicals or harsh abrasives to clean. These can damage parts, finishes, or decals.
- All screws, nuts, bolts, etc. are metric unless noted otherwise.
- Always use the specified high-quality tools, liquids, and lubricants where indicated.

Warranty

For consumer warranty policy: please reference the **GT Bicycles Limited Warranty** available at www.gtbicycles.com.




For **Dealer Warranty Guidelines and Claims Process** to resolve any warranty issues customers may have, please reference our Warranty section at b2b.cyclingsportsgroup.com

Service Instructions, Technical Support and Ordering

For Service instructions, technical support and service kits ordering, please visit b2b.cyclingsportsgroup.com.

Symbols in Use

This TECH BOOK uses some icons, abbreviations or symbols to simplify the information presented on each page. They are:

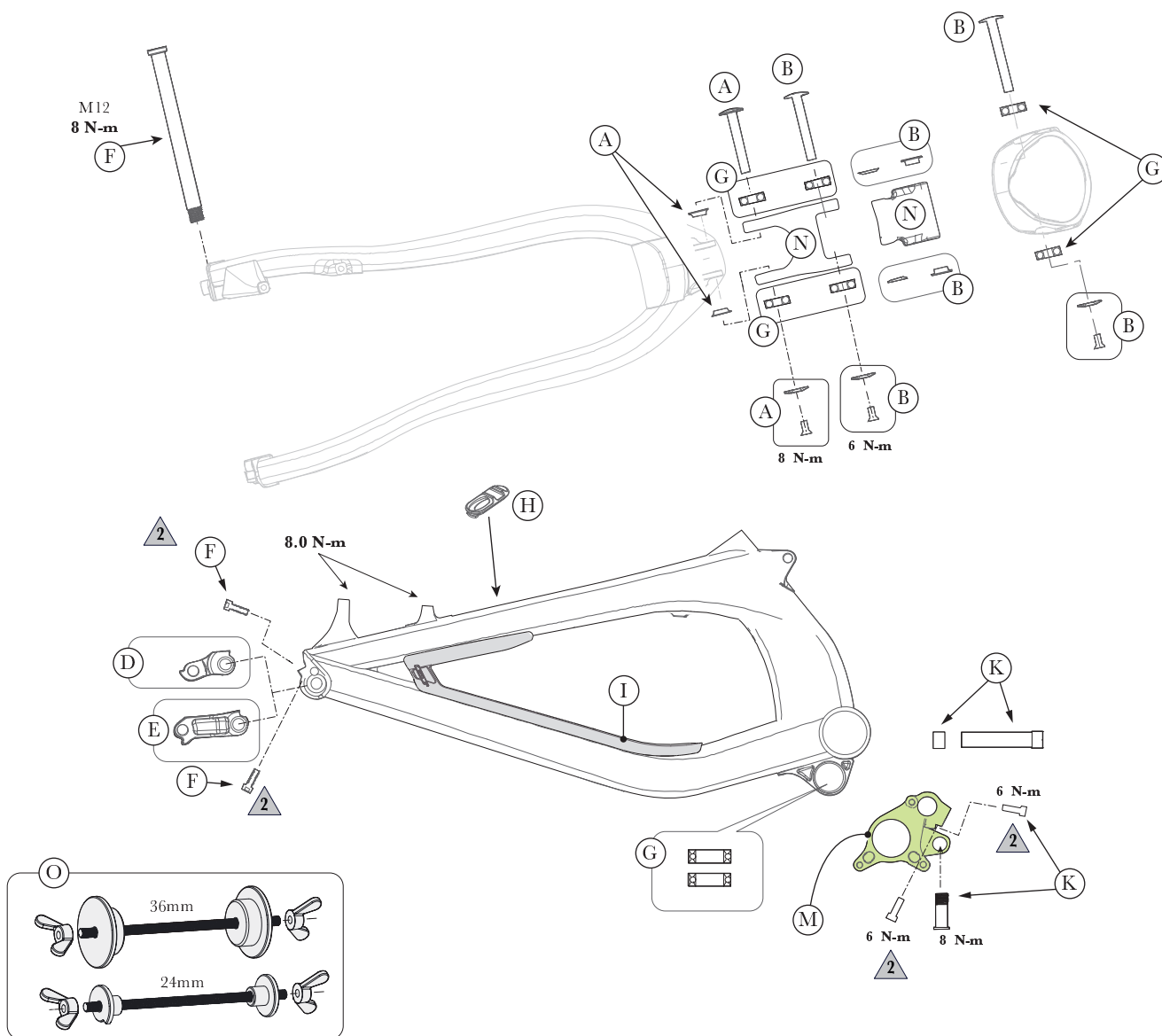
SYMBOL	NAME	DESCRIPTION
	Safety Alert Symbol	Indicates that the related parts are safety related. Use only the kit CODE indicated for replacements; do not substitute other parts.
	NGLI-2 synthetic grease	Indicates application of a NGLI-2 synthetic grease.
	Medium strength removable thread lock	Indicate the application of a medium strength removable thread locking agent (e.g. "Loctite 242 (blue)") is required.
N-m	Newton meter	Indicates the specified value tightening torque for the fastener.

DS - Drive Side
 NDS - Non-Drive Side
 FD - Front Derailleur
 RD - Rear Derailleur
 UPR - Upper
 LWR - Lower
 FT - Front
 RR - Rear
 DIA. - Diameter
 in - inches
 mm - millimeter
 N/A - not applicable
 ST- Seat tube
 SST - Seat Stay

CS - Chain Stay
 CRB - Carbon (composite)
 ALLY - Alloy
 HT - Head Tube
 BB - Bottom Bracket
 LFT - Left
 RGT - Right
 RRTR - Rear Triangle
 FTTR - Front Triangle
 DM - Direct Mount
 ST - Standard Mount
 RRDO - Rear Dropout
 RRBM - Rear Brake Mount
 RRBAD - Rear Brake Adapter

TAXL - Thru-Axle
 PMB - Post Mount Brake
 ISB - International Standard
 Brake

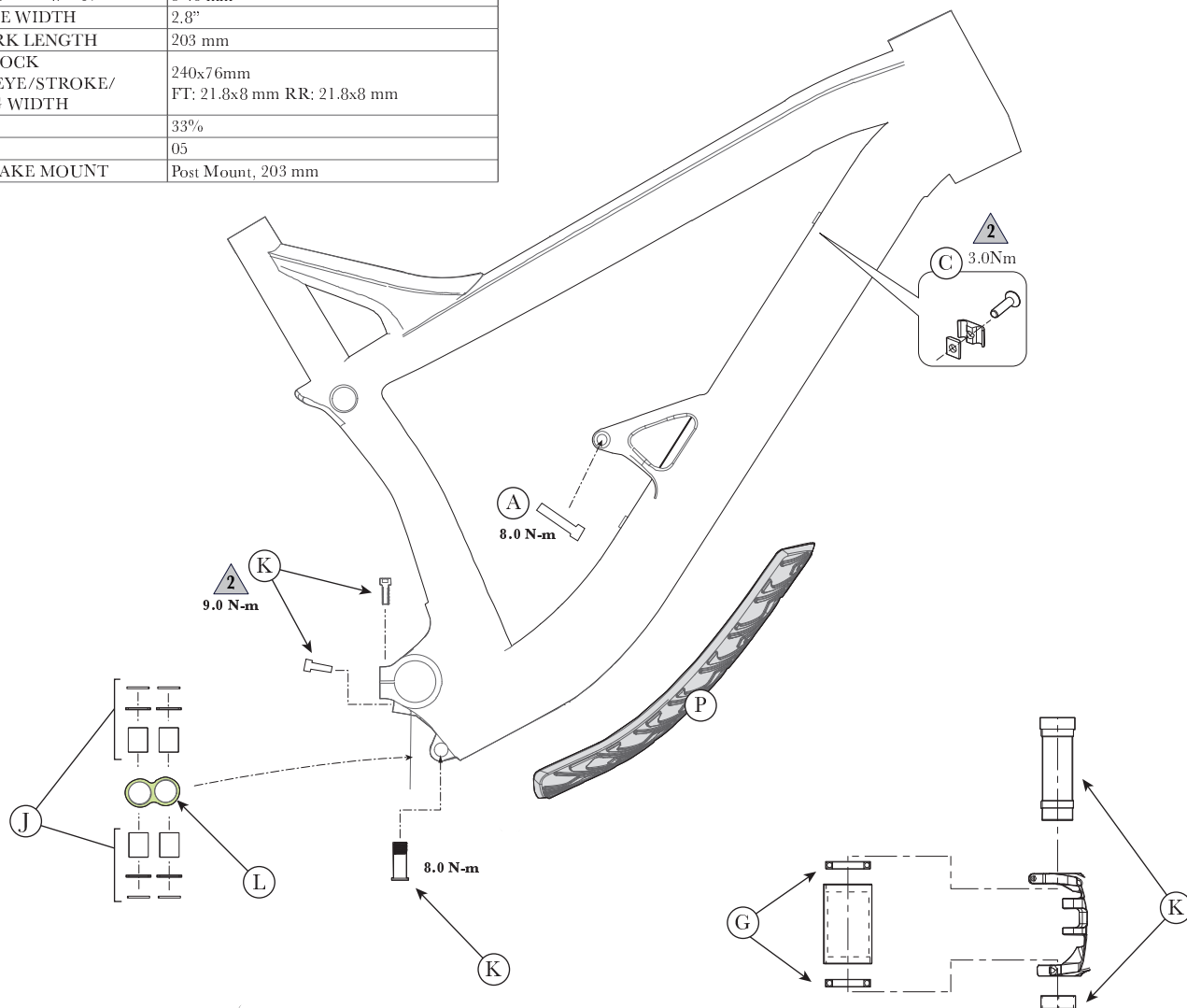
FURY 2014-2017



ID	CODE	DESCRIPTION
A	KG0018N02	Fury Shock Bolt x2
B	KG0019N02	Fury Swingarm Hardware
C	KG0020N02	Cable Clamp x10
D	KG0021N02	Derailleur Hanger TA ST SS 058 (Standard Mount)
E	KG0022N02	Derailleur Hanger TA DM SS 059 (Shimano Direct Mount)
F	KG0023N02	Fury Thru Axle 12x150
G	KG0024N02	Fury Link Bearings x6
H	KG0061N01	Fury Seat Stay Cable Grommet
I	KG0063N01	Fury Chainstay Protector

FURY 2014-2017

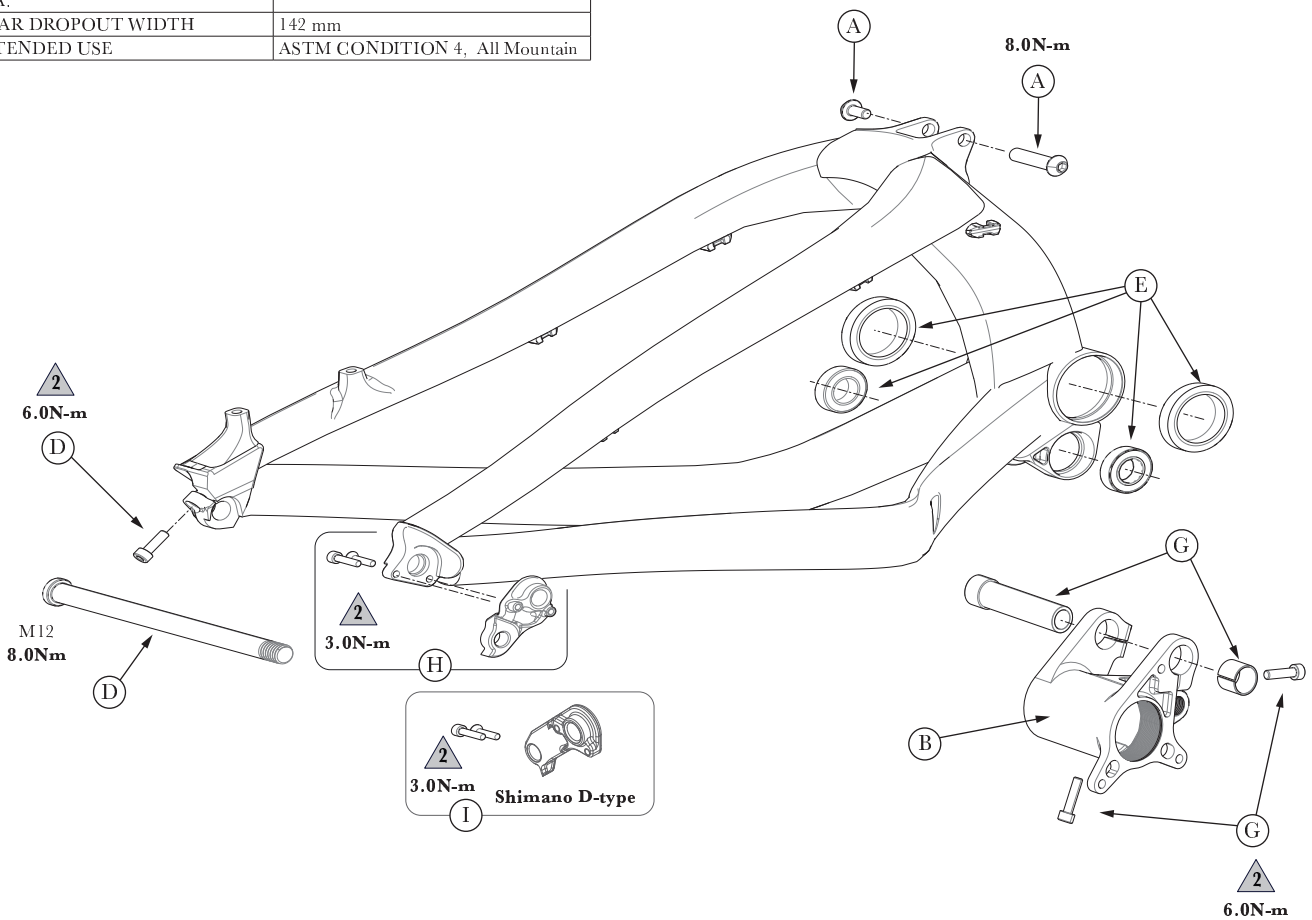
MODEL / MODEL YEAR(S)	FURY ALLOY/ MY16-17
REAR TRAVEL	210 mm
HEAD TUBE	UPR: 1-1/8 in, LWR: 1-1/2 in
BOTTOM BRACKET WIDTH	83 mm
FRONT DERAILLEUR	N/A
SEAT POST DIA./BINDER	31.6 mm
MAX TIRE WIDTH	2.8"
MAX FORK LENGTH	203 mm
REAR SHOCK	240x76mm
EYE-TO-EYE/STROKE/ BUSHING WIDTH	FT: 21.8x8 mm RR: 21.8x8 mm
SAG	33%
ISCG	05
REAR BRAKE MOUNT	Post Mount, 203 mm



ID	CODE	DESCRIPTION
J	KG0025N02	Fury Dog Bone Bushings
K	KG0026N02	Fury Pivot Axle
L	KG0027N02	Fury Dogbone
M	KG0028N02	Fury i-Drive Link
N	KG0029N02	Fury Swing Link
O	KG0030N02	Fury Bearing Preload Tool
P	KG0062N01	Fury Down Tube Protector

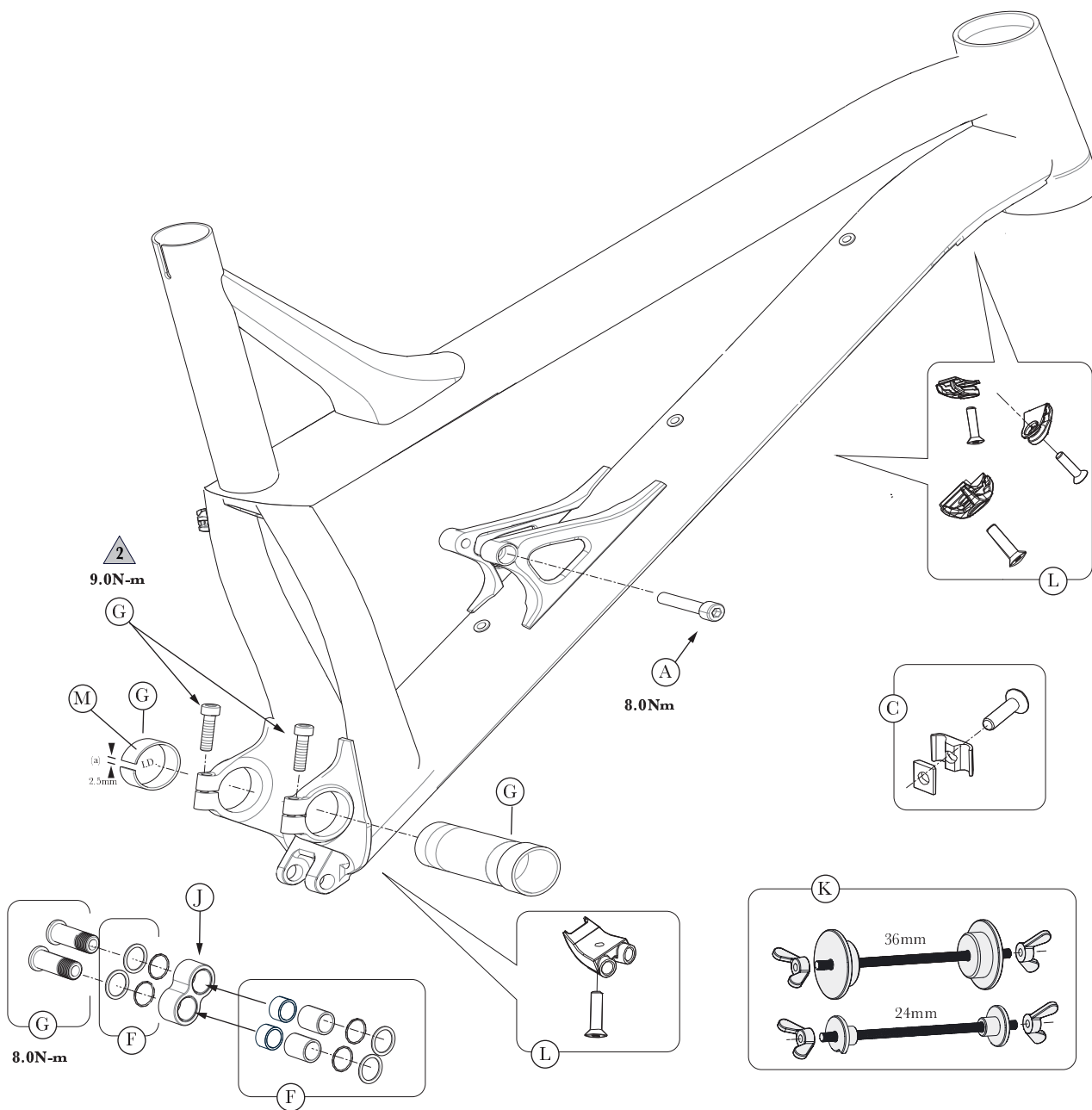
SANCTION 2016-2017

MODEL / MODEL YEAR(S)	SANCTION / MY16-17
REAR TRAVEL	160 mm
HEAD TUBE	UPR: 1-1/8, LWR 1-1/2
BOTTOM BRACKET TYPE/ WIDTH	73 mm
FRONT DERAILLEUR	N/A
SEAT POST DIA./BINDER	31.6 mm / 34.9 mm
MAX TIRE WIDTH	2.8 in
MAX FORK LENGTH	180 mm
REAR SHOCK: EYE-TO-EYE / STROKE / BUSHING WIDTH	216 mm x 63 mm FT: 21.8 x 8 mm / RR: 21.8 x 8 mm
SAG	33%
ISCG	ISCG 05
REAR BRAKE MOUNT TYPE/ DIA.	Post Mount / 180 mm
REAR DROPOUT WIDTH	142 mm
INTENDED USE	ASTM CONDITION 4, All Mountain



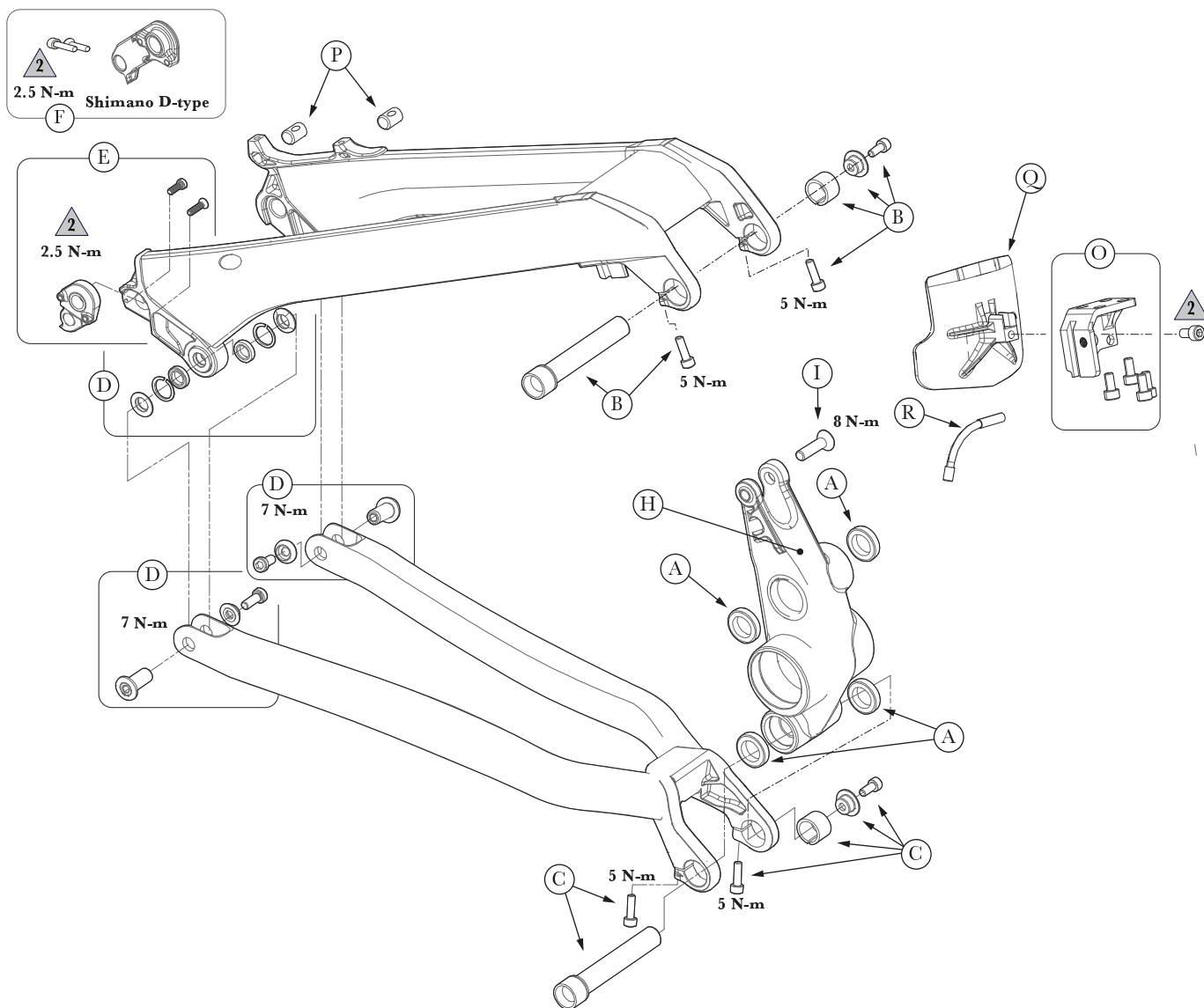
ID	CODE	DESCRIPTION
A	KG0052N01	Sanction Shock Bolts
B	KG0051N01	Sanction i-Drive Link 73mm
C	KG0020N02	Cable Clamp x10
D	KG0023N03	Rear Axle Sanction 12x142
E	KG0050N01	Sanction Pivot Bearings
F	KG0025N02	Sanction/Fury Dogbone Bushings
G	KG0049N01	Sanction Pivot Axle

SANCTION 2016-2017



ID	CODE	DESCRIPTION
H	KG0006N02	Derailleur Hanger TA ST SS 056 (Standard Mount)
I	KG0007N02	Derailleur Hanger TA DM SS 057 (Shimano Direct Mount)
J	KG0027N02	Sanction/Fury Dogbone
K	KG0030N02	GT Bearing Preload Tool
L	KG0009N02	GT Full Suspension Cable Guides
M	KG0049N05	Sanction Split Ring

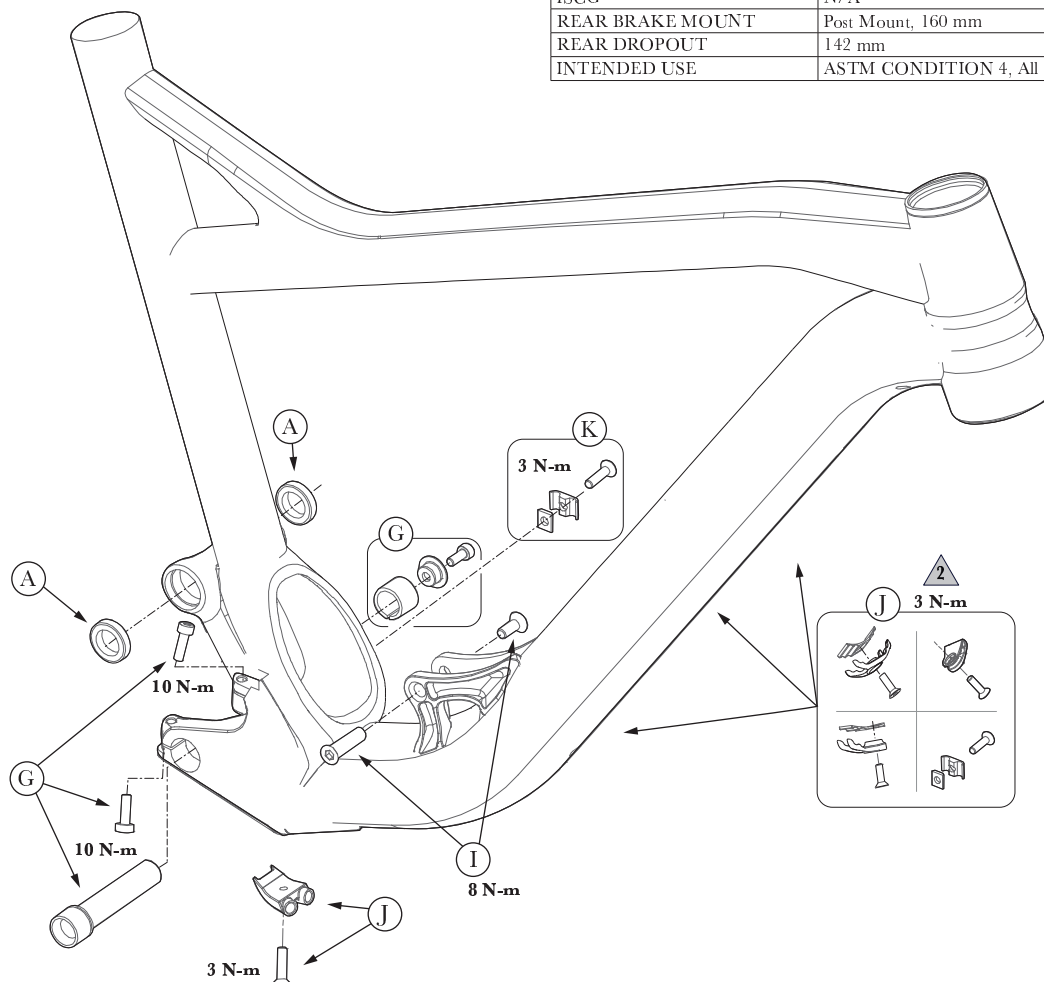
FORCE 2016-2017



ID	CODE	DESCRIPTION
A	KG0001N02	Force /Sensor /Helion Link Bearings x6
B	KG0002N02	Force / Sensor / Helion Pathlink SST hardware
C	KG0004N02	Force / Sensor / Helion Pathlink CS Hardware
D	KG0005N03	Force / Sensor / Helion Alloy CS SST Hardware
D	KG0005N04	Force / Sensor / Helion Carbon CS SST Hardware
E	KG0006N02	Derailleur Hanger TA ST SS 056 (Standard Mount)
F	KG0007N02	Derailleur Hanger TA DM SS 057 (Shimano Direct Mount)
G	KG0008N02	Force Front Triangle Path Link Hardware
H	KG0032N01	Force Path Link

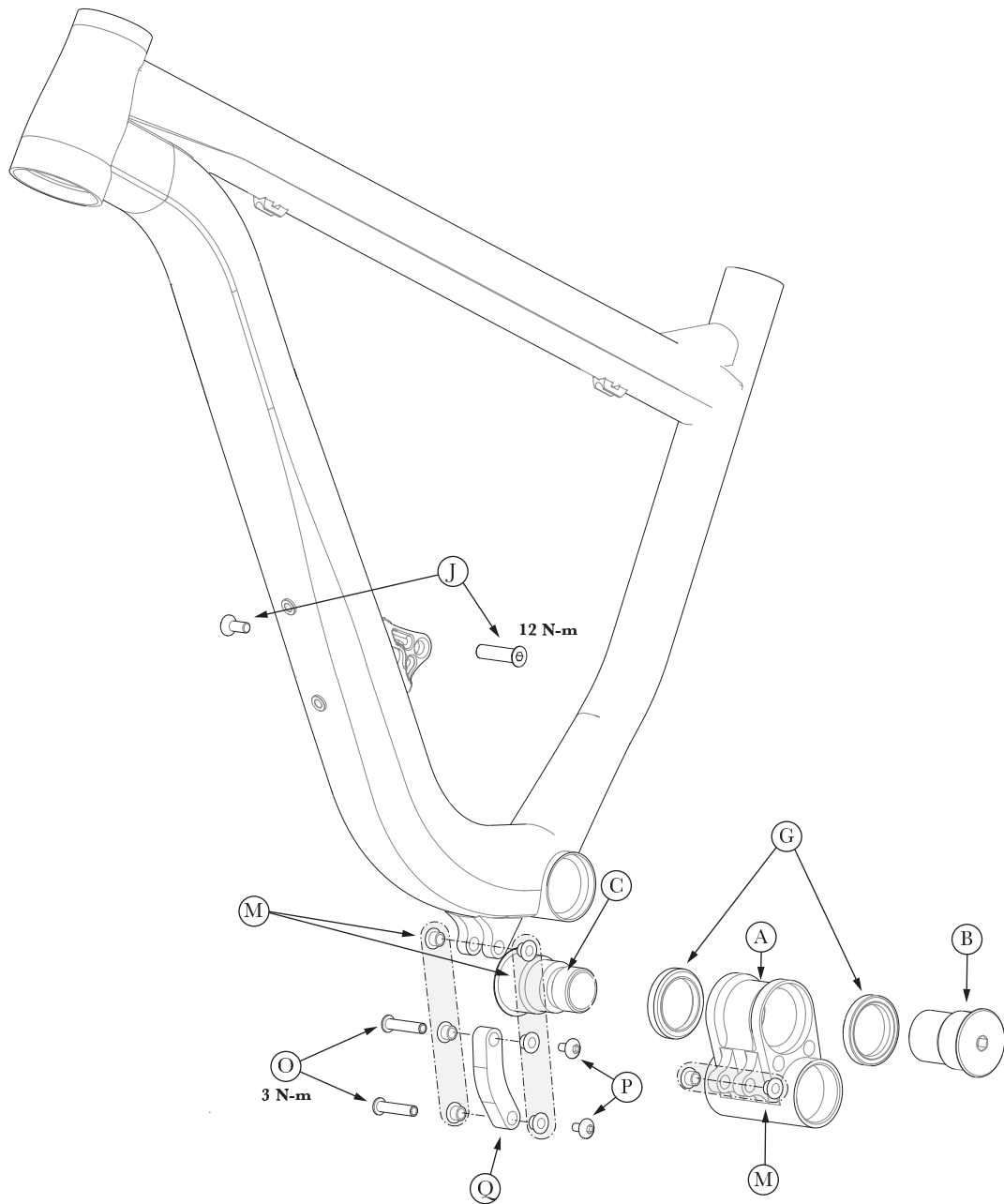
FORCE 2016-2017

MODEL / MODEL YEAR(S)	FORCE / MY16-17
REAR TRAVEL	150 mm
HEAD TUBE	UPR: 1-1/8 in, LWR: 1-1/2 in
BOTTOM BRACKET WIDTH	73 mm
FRONT DERAILLEUR	Direct Mount, Front-Pull
SEAT POST DIA./BINDER	31.6 mm / 34.9 mm
MAX TIRE WIDTH	2.5 in
MAX FORK LENGTH	160 mm
REAR SHOCK: EYE-TO-EYE/ STROKE	190 mm x 51 mm FT: 22.2 x 8 mm / RR: 19.05 x 8 mm
SAG	25%-33%
ISCG	N/A
REAR BRAKE MOUNT	Post Mount, 160 mm
REAR DROPOUT	142 mm
INTENDED USE	ASTM CONDITION 4, All Mountain



ID	CODE	DESCRIPTION
I	KG0003N02	Force Sensor Shock Bolts
J	KG0009N02	GT Full Suspension Cable Guides
K	KG0010N01	Kit Cable clamp x10
L	KG0012N02	Seatbinder GT 38.1 mm
M	KG0014N02	Force Sag Indicator x10
O	KG0016N02	Front Derailleur Mount Force Sensor Crb
P	KG0017N02	M6 Post Mount Barrel Nut x10
Q	KG0013N02	GT Shock Mudguard
R	KG0011N02	Cable Guide Pipe x10

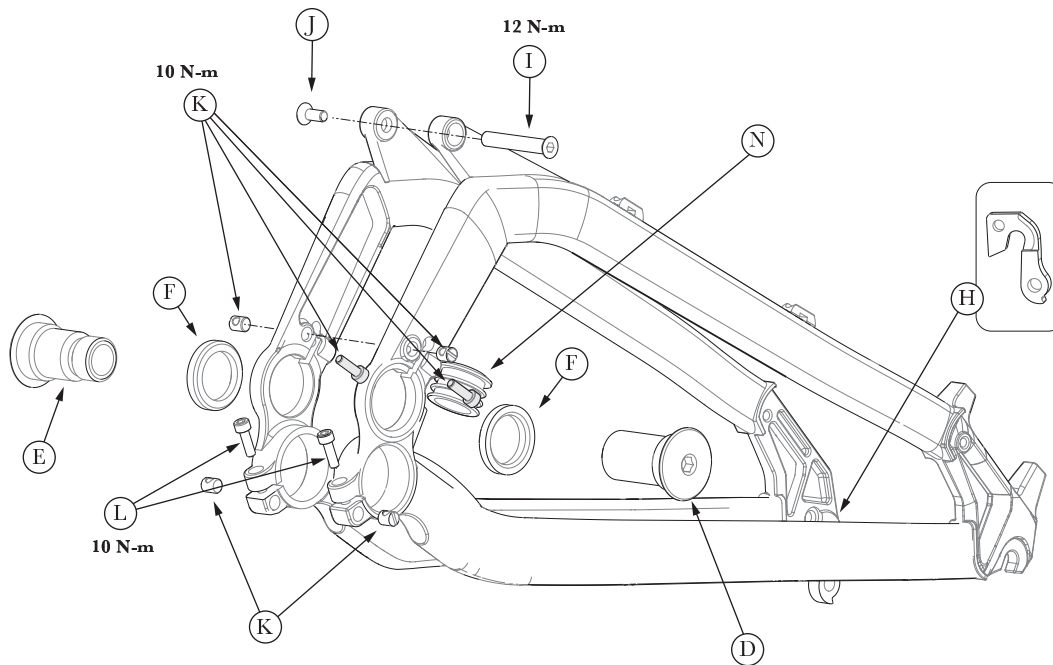
VERB 2016-2017



ID	CODE	DESCRIPTION
A	KG0096N01	Verb Pathlink
B	KG0094N01	Verb Bottom Bracket Pivot Female
C	KG0095N01	Verb Bottom Bracket Pivot Male
D	KG0097N01	Verb Main Pivot Female
E	KG0098N01	Verb Pivot Male
F	KG0099N01	Verb Main Pivot Bearing x2
G	ATIOT2016	Bearing ACB For ID XC x2
H	ATIDH0239	Derailleur Hanger QR ST SS 052
I	ATIOT3850	Verb Rear Shock Bolt Female

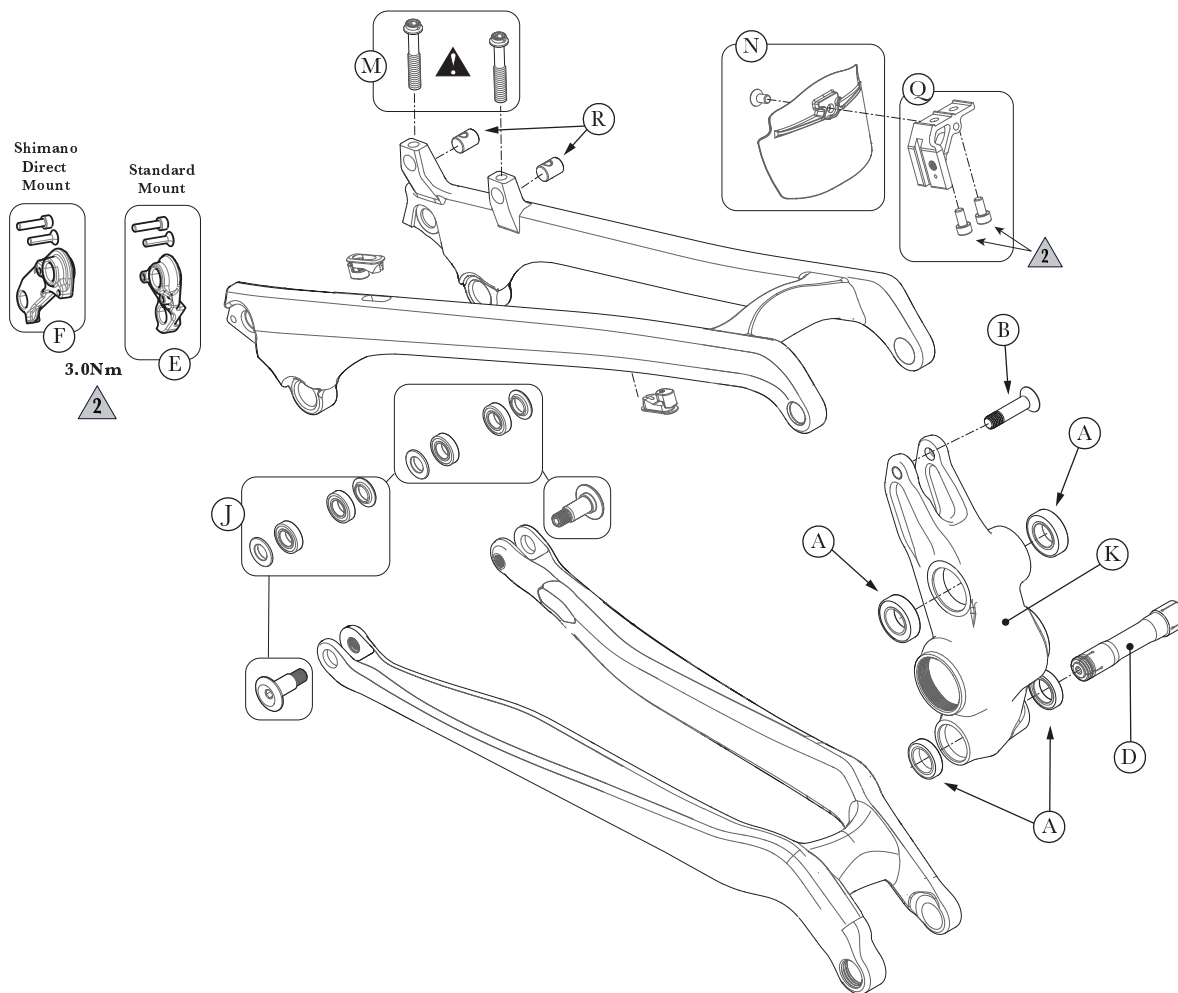
VERB 2016-2017

MODEL / MODEL YEAR(S)	VERB / MY16-17
REAR TRAVEL	120 mm
HEAD TUBE	UPR: 1-1/8 in, LWR: 1-1/2 in
BOTTOM BRACKET WIDTH	73 mm
FRONT DERAILLEUR	31.8 mm, Dual Pull
SEAT POST DIA./BINDER	31.6 mm / 34.9 mm
MAX TIRE WIDTH	2.5 in
MAX FORK LENGTH	120 mm
REAR SHOCK: EYE-TO-EYE/STROKE/BUSHINGS	165 x 38 mm FT: 21.8 mm x 8 mm, RR: 21.8 mm x 8 mm
SAG	25%-33%
ISCG	ISCG 05
REAR BRAKE MOUNT	Post Mount, 160 mm
REAR DROPOUT	135 mm
INTENDED USE	ASTM CONDITION 3, Cross-Country, Marathon



ID	CODE	DESCRIPTION
J	KG0003N02	GT Full Suspension Shock Bolts
K	ATINT0031	Nut, Barrel M5, For ID XC
L	KG0100N01	Verb Main Pivot Bolt M5x16L
M	ATIOT1468	Bearing LGUS 6X8X6 Dogbone
N	ATIPT0058	Derailleur Tube Cap
O	ATIOT4963	Screw M6 Female 1X
P	ATIOT4964	Screw M6 Male V2 1X
Q	KG0101N01	Verb Dog Bone

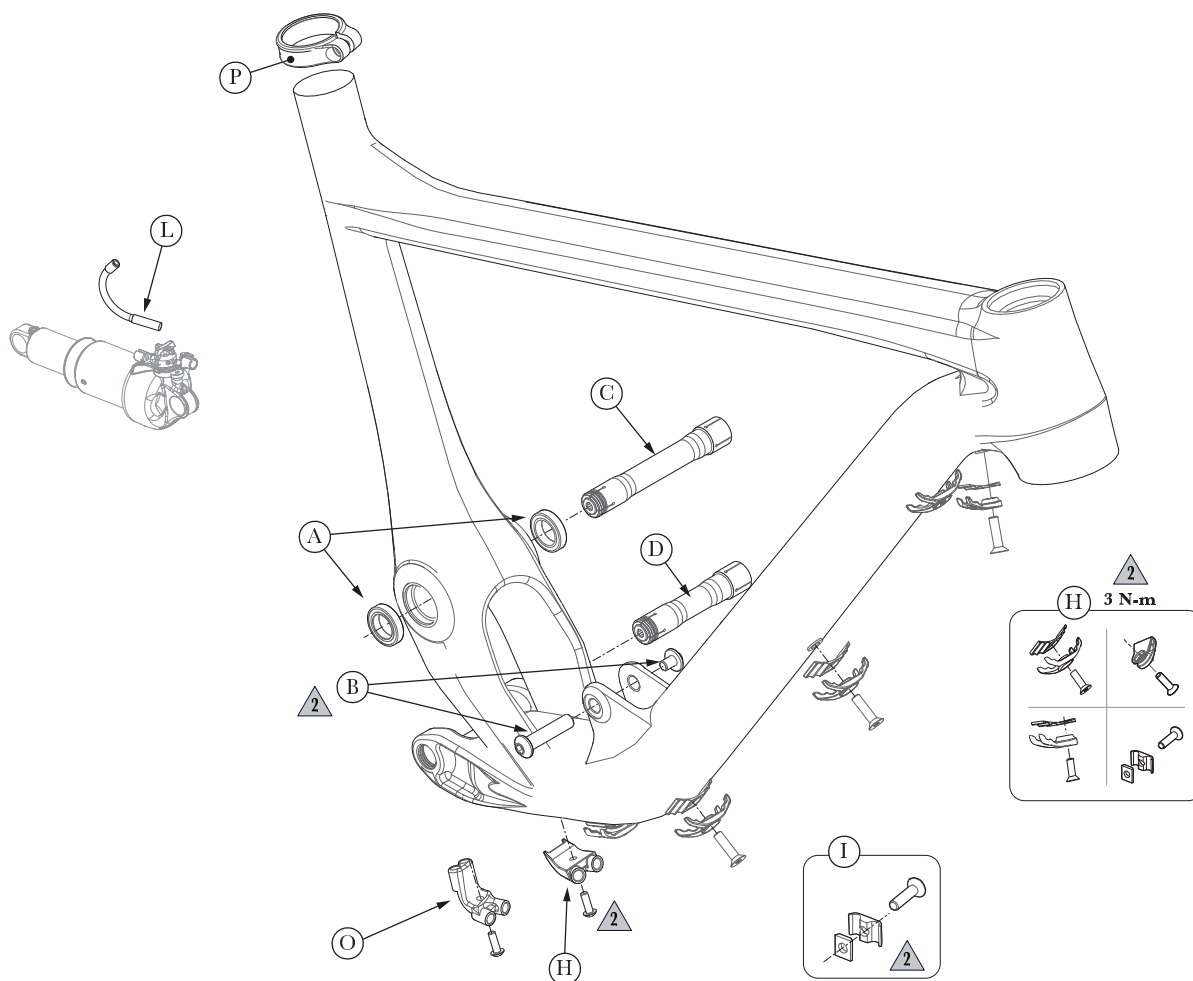
HELION / SENSOR 2015-2017



ID	CODE	DESCRIPTION	CRB	ALLY
A	KG0001N02	Force Sensor Helion Pathlink Bearings x6	X	X
B	KG0003N02	GT Full Suspension Shock Bolts	X	X
C	KG0054N01	Expanding Axle Hardware 103 mm	X	X
D	KG0055N01	Expanding Axle Hardware 79 mm	X	X
E	KG0006N02	Derailleurs Hanger TA ST SS 056 (Standard Mount)	X	X
F	KG0007N02	Derailleurs Hanger TA DM SS 057 (Shimano Direct Mount)	X	X
G	ATIDH0233	Derailleurs Hanger QR ST SS 048		X
J	KG005N03	Force / Sensor / Helion Alloy CS SST Hardware		X
	KG005N04	Force / Sensor / Helion Carbon CS SST Hardware	X	
K	KG0031N02	Sensor Bottom Bracket Link	X	X
K	KG0059N01	Helion Pathlink SLV	X	X
M	KG0064N01	XTR Caliper Bolt AOS 180	X	
	KG0065N01	XTR Caliper Bolt AOS 160 Direct Mount	X	
	KG0066N01	XT Caliper Bolt AOS 180	X	
	KG0067N01	XT Caliper Bolt AOS 160 Direct Mount	X	
N	KG0013N02	GT Shock Mudguard	X	X

HELION / SENSOR 2015-2017

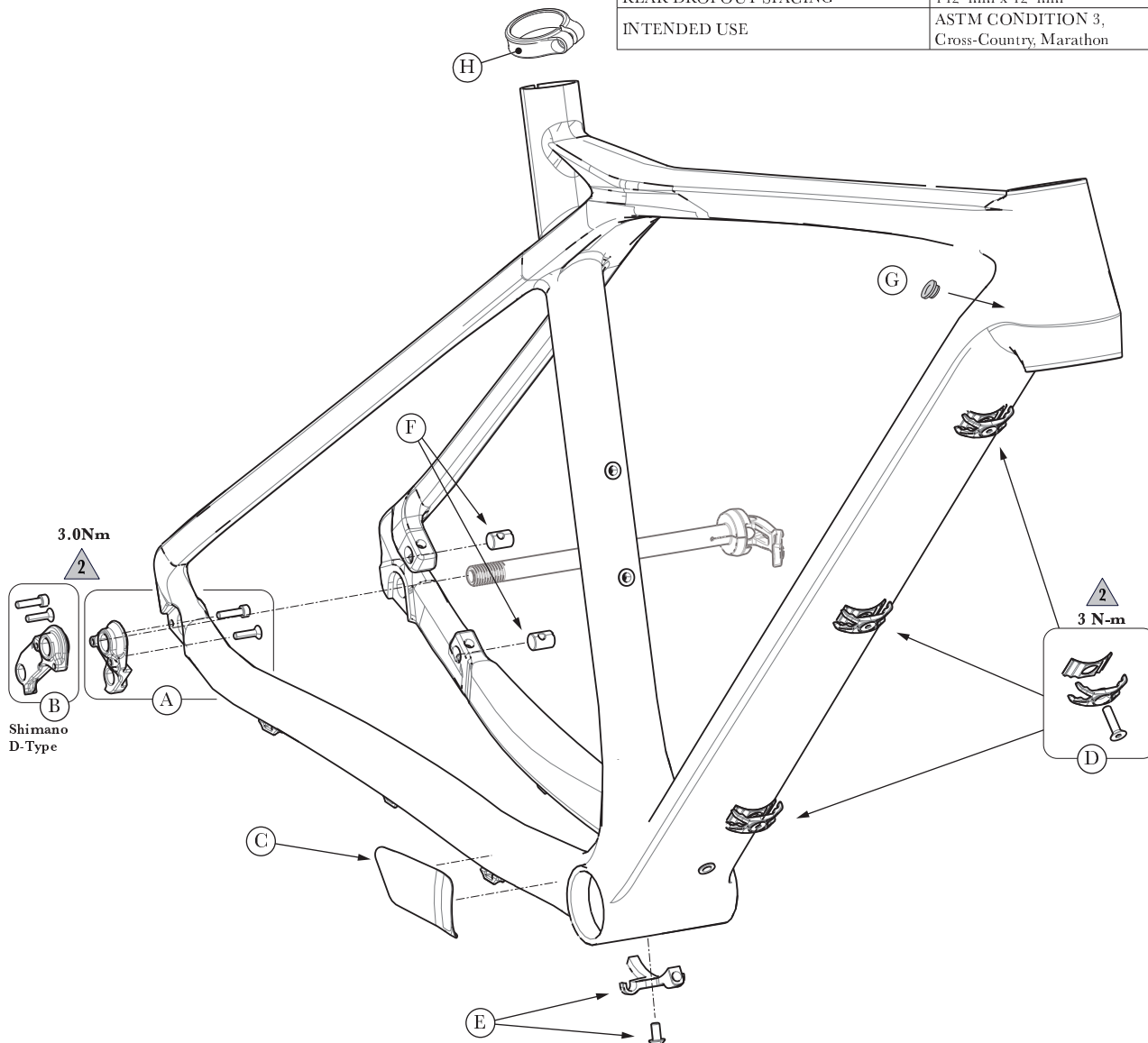
MODEL / MODEL YEAR(S)	HELION / MY15-17	SENSOR / MY16-17
REAR TRAVEL	110 mm	130 mm
HEAD TUBE	UPR: 1-1/8 in, LWR: 1-1/5 in	UPR: 1-1/8 in, LWR: 1-1/2 in
BOTTOM BRACKET WIDTH	73 mm	73 mm
FRONT DERAILLEUR	Direct Mount, Front-Pull	Direct Mount, Front-Pull
SEAT POST DIA./BINDER	31.6 mm / 34.9 mm	34.9 mm/38.1 mm
MAX TIRE WIDTH	2.5"	2.5
MAX FORK LENGTH	120 mm	150
REAR SHOCK: EYE-TO-EYE / STROKE / REDUCERS	165 mm x 38 mm FT: 22.2 x 8 mm, RR: = 22.2 x 8 mm	184 mm x 44 mm FT: 22.2 x 8 mm, RR: = 22.2 x 8 mm
SAG	25%-33%	25%-33%
ISCG	N/A	NA
REAR BRAKE MOUNT	Post Mount, 160 mm	Post Mount, 160
REAR DROPOUT	135 mm	142 mm
INTENDED USE	ASTM CONDITION 3, Cross-Country, Marathon	ASTM CONDITION 4, All Mountain



ID	CODE	DESCRIPTION	CRB	ALLY
L	KG0011N02	Cable Guide Pipe x10	X	
O	KG0056N01	Helion Bottom Bracket Cable Guide		X
P	KG0057N01	Seatbinder GT 35 mm	X	X
Q	KG0058N01	Helion Front Derailleur Mount	X	X
R	KG0017N02	M6 Post Mount Barrel Nut x10		X
H	KG0009N02	GT Full Suspension Cable Guides	X	X
I	KG0010N02	Cable Clamp x10		X

ZASKAR 2016-2017

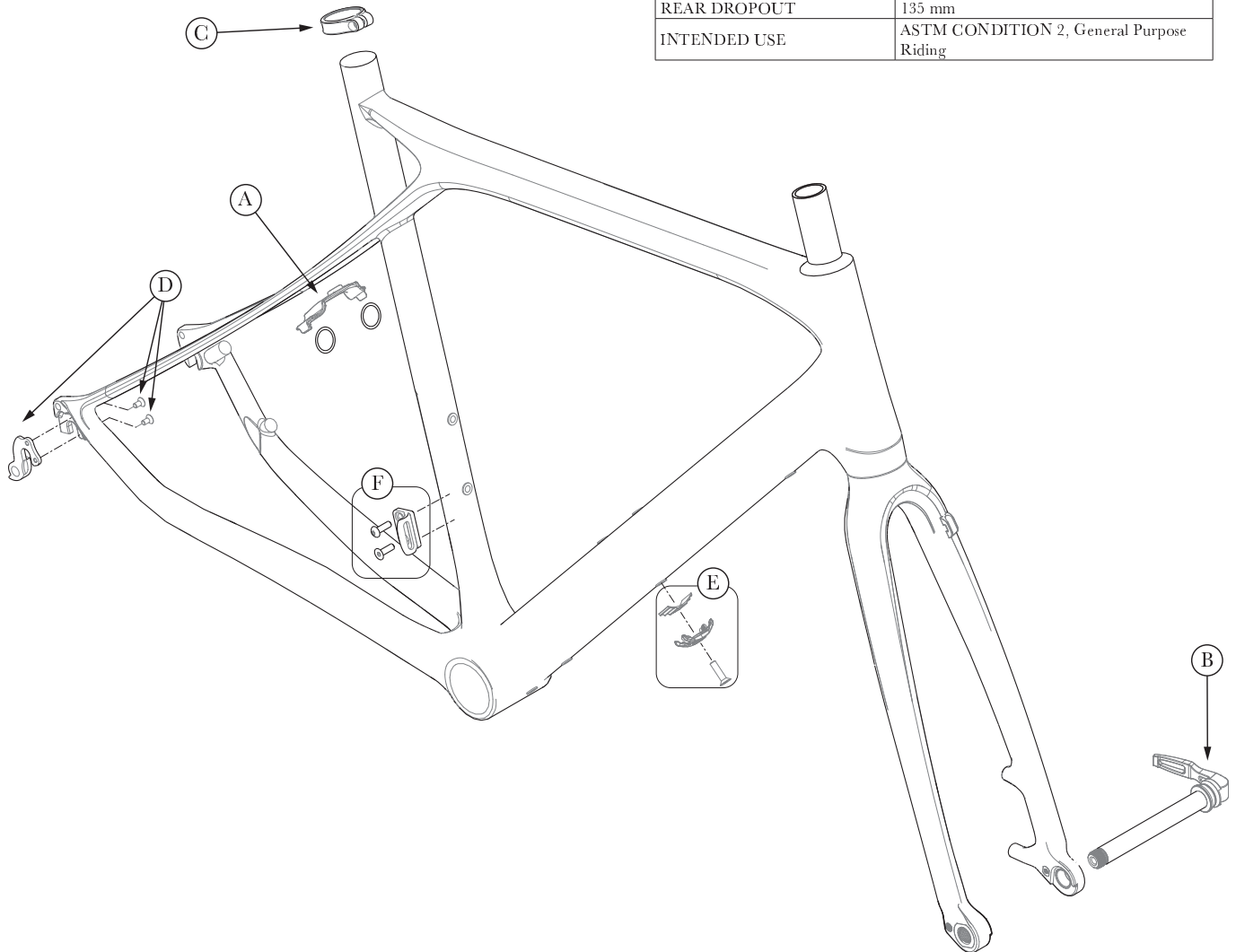
MODEL / MODEL YEAR(S)	ZASKAR 27.5, 29 / MY16-17
HEAD TUBE	UPR: 1-1/8 in, LWR: 1-1/2 in
BOTTOM BRACKET: TYPE/WIDTH	PF BB86
FRONT DERAILLEUR	34.9 mm Dual Pull
SEAT POST DIA./BINDER	CRB: 31.6 mm/35 mm ALLY: 30.9 mm/ 35 mm
MAX. TIRE WIDTH	2.5 in
REAR BRAKE MOUNT/DIA.	Post Mount, 160 mm
REAR DROPOUT SPACING	142 mm x 12 mm
INTENDED USE	ASTM CONDITION 3, Cross-Country, Marathon



ID	CODE	DESCRIPTION
A	KG0006N02	Derailleur Hanger TA ST SS 056 (Standard Mount)
B	KG0007N02	Derailleur Hanger TA DM SS 057 (Shimano Direct Mount)
C	KG0103N01	Zaskar Carbon Chainsuck Protector
D	K32007	Downtube X Cable Guides x3
E	KG0102N01	Zaskar Carbon Bottom Bracket Cable Guide
F	ATINT0031	Barrel Nut
G	K32048	Shift & Brake Grommets
H	KG0057N01	Seatbinder GT 35mm

GRADE 2015-2017

MODEL / MODEL YEAR(S)	GRADE / MY15-17
HEAD TUBE	UPR: 1-1/8 in, LWR: 1 1/4
BOTTOM BRACKET: TYPE/ WIDTH	PF30
FRONT DERAILLEUR	Braze-on
SEAT POST DIA./BINDER	27.2 mm/30.9 mm
MAX TIRE WIDTH	35 mm
REAR BRAKE MOUNT	Post Mount, 160 mm
REAR DROPOUT	135 mm
INTENDED USE	ASTM CONDITION 2, General Purpose Riding



ID	CODE	DESCRIPTION
A	KG0053N01	Grade Carbon Fender Mount
B	KG0048N01	Thru Axle QR Type M15
C	KG0060N01	Seatbinder GT 30.9 mm
D	ATIDH0183	Derailleur Hanger QR ST SS 045
E	K32007	Downtube Cable Guides x3
F	KG0106N01	Front Derailleur Mount

REAR DEARAILLEUR HANGERS 2008-2017

PLATFORM	MODEL YEAR	CODE	Note
Aggressor	2013-2017	ATIDH0246	
Aggressor	2008-2012	ATIDH0021	
Aggressor Disc	2008	ATIDH0032	
Avalanche	2012-2017	ATIDH0239	
Avalanche	2008-2011	ATIDH0071	
Backwoods 29	2017	ATIDH0239	
Backwoods 27.5	2017	K33027	
Chucker 3.0	2008-2010	ATIDH0032	
Chucker 1.0/2.0	2009-2010	ATIDH0134	
Chucker 20"/24"	2008	ATIDH0108	
Corsa	2014	ATIDH0233	
DHI	2008	ATIDH0104	
Distortion Drive Side	2011-2014	ATIDH0237	
Distortion Non-Drive Side	2011-2014	ATIDH0238	
Edge	2013-2014	ATIDH0233	
Force	2017	KG0007N02	Shimano Shimano Direct Mount Mount
Force	2015-2017	KG0006N02	Standard Mount Mount
Force Carbon	2014	KG0006N02	Standard Mount
Force Carbon	2014	KG0007N02	Shimano Shimano Direct Mount Mount
Force LE Drive Side	2012-2014	ATIDH0237	
Force LE Non-Drive Side	2012-2014	ATIDH0238	
Force Alloy Left	2008-2014	ATIDH0062	
Force Alloy Right	2008-2014	ATIDH0063	
Force 26er	2008	ATIDH0118	
Fury	2014-2017	KG0021N02	Standard Mount
Fury	2014	KG0022N02	Shimano Direct Mount
Fury Alloy	2012-2013	ATIDH0104	
Fury Carbon	2009-2013	ATIDH0162	
Grade	2015-2017	ATIDH0183	
GTR Carbon	2009-2013	ATIDH0183	

REAR DEARAILLEUR HANGERS 2008-2017

PLATFORM	MODEL YEAR	CODE	Note
GTR Carbon	2008	ATIDH0123	
GTR series	2012-2014	ATIDH0183	
GTR series 3/4/CX	2008-2012	ATIDH0031	
GTR series 1/2	2011	ATIDH0207	
GTR series 1/2	2008-2010	ATIDH0109	
Helion	2016-2017	K33017	QR version
Helion	2015-2017	KG0006N02	Standard Mount
Helion	2016-2017	KG0007N02	Shimano Direct Mount
Karakoram	2017	ATIDH0233	
Karakoram	2013-2016	ATIDH0239	
Karakoram	2011-2012	ATIDH0071	
Kashmir Drive Side	2013-2014	ATIDH0249	
Kashmir Non-Drive Side	2013-2014	ATIDH0250	
LaBomba Non-Drive Side	2011-2014	ATIDH0062	
LaBomba Drive Side	2011-2014	ATIDH0063	
Laguna	2009-2017	ATIDH0021	
Legato	2008-2009	ATIDH0031	
Legato	2008	ATIDH0109	
Lola	2017	K33057	
Marathon	2008-2010	ATIDH0071	
Nomad	2016-2017	K33177	
Nomad	2008-2013	ATIDH0071	
Outbound	2017	K33057	
Outpost	2017	K33067	
Outpost	2009-2010	ATIDH0021	
Outpost	2008	ATIDH0032	
Palomar	2014-2017	ATIDH0246	
Pantera	2017	K33027	Shimano Direct Mount
Pantera	2017	K33047	Standard Mount
Passage	2017	K33177	
Ricochet Plus	2017	K33057	Shimano Direct Mount

REAR DEARAILLEUR HANGERS 2008-2017

PLATFORM	MODEL YEAR	CODE	Note
Roundabout	2017	K33177	
Ruckus DJ	2013-2014	ATIDH0256	
Ruckus	2010-2013	ATIDH0104	
Ruckus Non-Drive	2009-2010	ATIDH0062	
Ruckus Drive	2009-2010	ATIDH0063	
Ruckus	2008	ATIDH0104	
Sanction	2016-2017	KG0006N02	Standard Mount
Sanction	2016-2017	KG0007N02	Shimano Direct Mount
Sanction	2015	KG0021N02	
Sanction Drive Side	2012	ATIDH0237	
Sanction Non-Drive Side	2012	ATIDH0238	
Sanction	2008-2011	ATIDH0117	
Sanction	2008-2011	ATIDH0118	
Sensor	2014-2017	KG0006N02	Standard Mount
Sensor	2014-2017	KG0007N02	Shimano Direct Mount
Sensor	2010-2013	ATIDH0071	
Sensor X	2015	KG0006N02	
Sportive	2015-2017	ATIDH0183	
Stomper	2017	K33057	
Tachyon	2014-2015	ATIDH0183	
Tachyon	2010-2013	ATIDH0109	
Talera	2017	K33177	
Timberline	2013-2015	ATIDH0246	
Timberline	2008-2009	ATIDH0071	
Traffic Series	2016-2017	K33177	
Traffic Series	2012-2015	ATIDH0242	
Traffic Series	2012	ATIDH0241	
Traffic Series	2011	ATIDH0200	
Transeo	2016-2017	K33177	
Transeo	2011-2015	ATIDH0200	
Transeo	2010	ATIDH0071	

REAR DEARAILLEUR HANGERS 2008-2017

PLATFORM	MODEL YEAR	CODE	Note
Transeo	2008-2009	ATIDH0108	
Vantara	2017	ATIDH0183	
Verb	2016-2017	ATIDH0239	
Xizang	2012-2014	ATIDH0233	
Zaskar	2017	K33027	Shimano Direct Mount
Zaskar	2017	K33047	Standard Mount
Zaskar	2016-2017	KG0006N02	Standard Mount
Zaskar	2016-2017	KG0007N02	Shimano Direct Mount
Zaskar	2013-2015	ATIDH0183	
Zaskar 9R	2014-2015	ATIDH0183	
Zaskar Carbon 9R	2014-2015	ATIDH0233	
Zaskar 100	2011-2014	ATIDH0233	QR version
Zaskar 100 29	2012-2014	ATIDH0234	Thru axle
Zaskar 29 Non-Drive Side	2011-2013	ATIDH0198	
Zaskar 29 Drive Side	2011-2013	ATIDH0199	
Zaskar 26	2011-2013	ATIDH0208	
Zaskar	2008-2012	ATIDH0071	

REAR DEARAILLEUR HANGERS 2008-2017

ATIDH0021



ATIDH0062



ATIDH0108



ATIDH0031



ATIDH0063



ATIDH0109



ATIDH0032



ATIDH0071



ATIDH0117



ATIDH0033



ATIDH0104



ATIDH0118



REAR DEARAILLEUR HANGERS 2008-2017

ATIDH0123



ATIDH0162



ATIDH0200



ATIDH0134



ATIDH0183



K33037



ATIDH0198



ATIDH0207



K33177



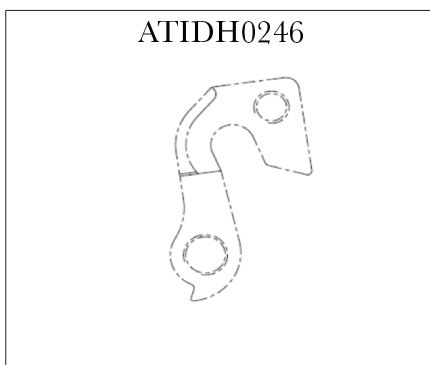
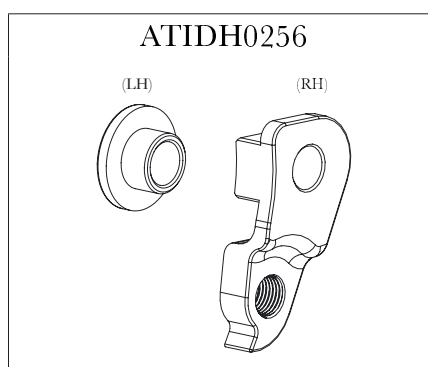
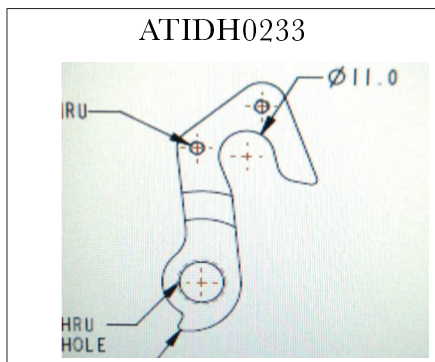
ATIDH0199



ATIDH0208



REAR DEARAILLEUR HANGERS 2008-2017



FREEHUB BODIES 2015-2017

MODEL NAME	CODE
2017	
Aggressor Expert	KP413/
Aggressor Expert Women	KP413/
Avalanche Comp	KP413/
Avalanche Comp Women	KP413/
Avalanche Elite	KP413/
Avalanche Elite Women	KP413/
Avalanche Sport	KP413/
Avalanche Sport Women	KP413/
Grade Alloy 105	KP415/
Grade Alloy 105 Women	KP415/
Grade Alloy Claris	KP413/
Grade Alloy Flat Bar Comp	KP413/
Grade Alloy Flat Bar Elite	KP413/
Grade Alloy Flat Bar Expert	KP413/
Grade Alloy Sora	KP413/
Grade Alloy Tiagra	KP413/
Grade Carbon 105	KP418/
Grade Carbon Tiagra	KP418/
Grade CX	KP413/
Grade CX Force	KP418/
Grade CX Rival	KP418/
GTS Claris	KP413/
GTS Sora	KP413/
GTS Tiagra	KP413/
Karakoram Comp	KP413/
Karakoram Elite	KP413/
Karakoram Sport	KP413/
Nomad 1.0	KP413/
Nomad 2.0	KP413/
Outpost Expert	KP413/
Sanction Comp	KP414/
Sanction Expert	KP414/
Sanction Pro	KP462/
Traffic 1.0	KP413/

MODEL NAME	CODE
Traffic 1.0 Equipped	KP413/
Traffic 2.0	KP413/
Traffic 2.0 Equipped	KP413/
Transeo 1.0	KP413/
Transeo 2.0	KP413/
Transeo 3.0	KP413/
Transeo 4.0	KP413/
Transeo W4L (x)	KP413/
Vantage F 1	KP413/
Vantage F 2	KP413/
Vantage F 2	KP413/
Vantage RX 1	KP418/
Vantage RX 2	KP413/
Verb Comp	KP413/
Verb Elite	KP413/
Verb Expert	KP413/
Zaskar Comp	KP413/
Zaskar Comp Women	KP413/
Zaskar Elite	KP418/
Zaskar Sport	KP413/
Zaskar Sport Women	KP413/

2016	
Aggressor Expert (Hydr)	KP413/
Avalanche	KP413/
Avalanche Comp	KP413/
Avalanche Comp Women	KP413/
Avalanche Disc Women	KP413/
Avalanche Elite	KP413/
Avalanche Elite Women	KP413/
Avalanche Expert	KP413/
Avalanche Sport	KP413/
Bump 26	KP413/
Fastback 3	KP413/

FREEHUB BODIES 2015-2017

MODEL NAME	CODE
Fury Elite	KP414/
Grade Alloy 105	KP415/
Grade Alloy 105 Women	KP415/
Grade Alloy Claris	KP413/
Grade Alloy Claris Women	KP413/
Grade Alloy Flat Bar 105	KP415/
Grade Alloy Sora	KP413/
Grade Alloy Sora Women	KP413/
Grade Alloy Tiagra	KP413/
Grade Alloy X	KP418/
Grade Carbon 105	KP418/
Grade Carbon Flat Bar Tiagra	KP413/
Grade Carbon FORCE	KP418/
Grade Flar Bar Comp	KP413/
Grade Flar Bar Elite	KP413/
Grade Flar Bar Expert	KP413/
GTS Claris Sport Women	KP413/
GTS Comp Sora	KP413/
GTS Expert Tiagra	KP413/
GTS Sport Claris	KP413/
Karakoram Comp	KP413/
Karakoram Elite	KP413/
Karakoram Expert	KP413/
Karakoram Sport	KP413/
Nomad 1.0	KP413/
Nomad 2.0	KP413/
Nomad 2.0 Women	KP413/
Outpost Expert	KP413/
Outpost Expert Women	KP413/
Passage 1.0	KP413/
Passage 1.0 Women	KP413/

MODEL NAME	CODE
Ricochet Comp 29r	KP413/
Ricochet Sport 27.5	KP413/
Ricochet Sport Women	KP413/
Sanction Expert	KP414/
Searcher 3	KP413/
Talera 3.0	KP413/
Talera 3.0 Women	KP413/
Talera 4.0	KP413/
Talera 4.0 Women	KP413/
Timberline Expert (Hydr)	KP413/
Traffic 1.0	KP413/
Traffic 2.0	KP413/
Traffic Elite	KP413/
Traffic Expert	KP413/
Transeo 1.0	KP413/
Transeo 2.0	KP413/
Transeo 2.0 Women	KP413/
Transeo 3.0	KP413/
Transeo 3.0 Women	KP413/
Transeo 4.0	KP413/
Transeo 4.0 Women	KP413/
Vantage F1	KP413/
Vantage F2	KP413/
Vantara Comp	KP413/
Vantara Comp Women	KP413/
Verb Comp	KP413/
Verb Elite	KP413/
Verb Expert	KP413/
Zaskar 27.5 Comp	KP413/
Zaskar 27.5 Elite	KP418/
Zaskar 27.5 Sport	KP413/
Zaskar 29r Comp	KP413/

FREEHUB BODIES 2015-2017

MODEL NAME	CODE
Zaskar 29r Sport	KP413/
Zaskar Carbon Elite	KP459/
Zaskar Carbon Elite X	KP459/
Zaskar Comp Women	KP413/
Zaskar X 27.5 Comp	KP413/
Zaskar X 27.5 Elite	KP418/
Zaskar X 27.5 Sport	KP413/

2015	
Aggressor (XS) - 26	KP413/
Aggressor Expert	KP413/
Aggressor Expert (Hydr)	KP413/
Aggressor Sport	KP413/
Avalanche Comp	KP413/
Avalanche Elite	KP413/
Avalanche Expert	KP413/
Avalanche Sport	KP413/
Backwoods Comp	KP413/
Backwoods Elite	KP413/
Backwoods Expert	KP413/
Backwoods Sport	KP413/
Fastback 2	KP413/
Fastback 3	KP413/
Fastback 3 WMS	KP413/
Fastback RX	KP413/
Grade Alloy 105	KP415/
Grade Alloy Claris	KP413/
Grade Alloy Sora	KP413/
Grade Alloy Tiagra	KP413/
Grade Alloy X	KP418/
Grade Carbon 105	KP418/
Helion Comp	KP413/
Helion Elite	KP413/
Karakoram Comp	KP413/

MODEL NAME	CODE
Karakoram Elite	KP413/
Karakoram Expert	KP413/
Karakoram Sport	KP413/
Sensor AL Comp	KP418/
Sensor AL Elite	KP418/
Tachyon	omp NA
Tachyon E	ite NA
Tachyon Expert	KP413/
Timberline Comp	KP413/
Timberline Expert	KP413/
Timberline Expert (Hydr)	KP413/
Transeo 1.0	KP413/
Transeo 2.0	KP413/
Transeo 2.0 Ladies	KP413/
Transeo 3.0	KP413/
Transeo 3.0 Ladies	KP413/
Transeo 4.0	KP413/
Transeo 4.0 Ladies	KP413/
Transit 2	KP413/
Zaskar 650B Comp	KP413/
Zaskar 650B Elite	KP418/
Zaskar 650B Sport	KP413/

NOTES

NOTES

NOTES



GT FACTORY RACING

GT FACTORY RACING

GT FACTORY RACING

GT FACTORY RACING

GT FACTORY RACING

GT FACTORY RACING

GT
BICYCLES

CSG

CYCLING SPORTS GROUP

© 2017 CYCLING SPORTS GROUP, INC.

© 2017 GT BICYCLES
WWW.GTBICYCLES.COM

1 CANNONDALE WAY
WILTON, CT 06897 USA

DOREL
SPORTS